



180 Lafayette Road
 North Hampton, NH 03862-2448
 PH: 603-964-3165
 FX: 603-964-3168
 WWW.PDEELECTRONICS.COM

Rectifier Assemblies

Single Phase Bridges, 0.125-0.6 Amp, High Voltage
 Standard and Fast Recovery
 673, 676 Series

- FEATURES**
- Miniature Package
 - Continuous Rating: to 0.6A
 - Surge Ratings: to 15A
 - PIV's: from 1200 to 5000V
 - Recovery Times: to 500 ns
 - Only Glass Passivated Diodes Used

DESCRIPTION

These miniature molded single-phase power bridges are designed for universal application in power supplies. One basic bridge assembly comes in a choice of lead configurations for mounting in wired chassis or on printed boards.

ABSOLUTE MAXIMUM RATINGS

Peak Inverse Voltage.....1200 to 5000V
 Maximum Average D.C. Output Current.....See Electrical Specifications
 Non-Repetitive Sinusoidal Surge (8.3mS).....See Electrical Specifications
 Operating and Storage Temperature Range.....-65°C to +150°C
 Thermal Resistance Junction to Ambient.....50°C/W Typical

ELECTRICAL SPECIFICATIONS @ Ta=+25C unless otherwise specified

Type	Electrical Characteristics						Maximum Ratings			
	PIV Per Leg	Maximum Forward Drop Per Leg	Leakage Current Per Leg		Maximum Reverse Recovery Time	Body Size	Maximum Average D.C. Output Current		Non-Repetitive Sinusoidal Surge (8.3mS)	
			T _A = 25°C	T _A =100°C			T _A =25°C AIR	T _O =50°C OIL		
	Volts	VF @ IF	µA	µA	nS	Amps		Amps		
Standard Recovery	673-7 673-75 673-8 673-85 673-9 673-10 673-11 673-12	1200 1800 2400 3000 3600 4200 4800 5000	2.2V @ 0.4A 3.3V @ 0.4A 4.4V @ 0.4A 5.5V @ 0.3A 6.6V @ 0.2A 7.7V @ 0.2A 8.8V @ 0.15A 9.0V @ 0.15A	2	100	-	H J K L M N O O	0.6 0.5 0.4 0.3 0.2 0.18 0.16 0.16	1.5 1.25 1.0 0.75 0.5 0.45 0.4 0.4	15
Fast Recovery	676-12 676-18 676-24 676-30 676-36 676-42 676-48 676-50	1200 1800 2400 3000 3600 4200 4800 5000	3.3V @ 0.3A 4.4V @ 0.2A 5.5V @ 0.2A 7.7V @ 0.2A 8.8V @ 0.15A 9.9V @ 0.15A 11V @ 0.15A 11V @ 0.15A	5	150	500	J K L M N O P P	0.4 0.35 0.325 0.25 0.175 0.15 0.135 0.125	1.0 0.85 0.8 0.625 0.425 0.375 0.325 0.3	10

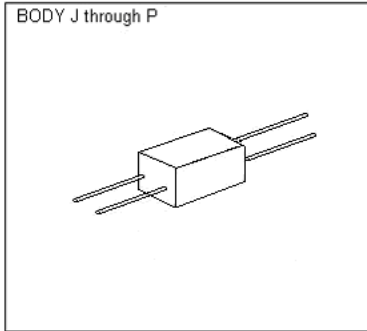
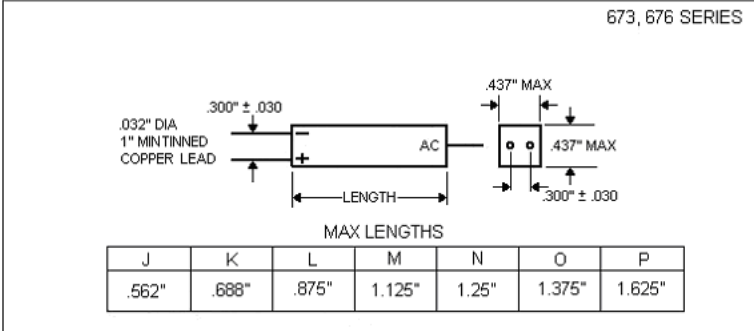
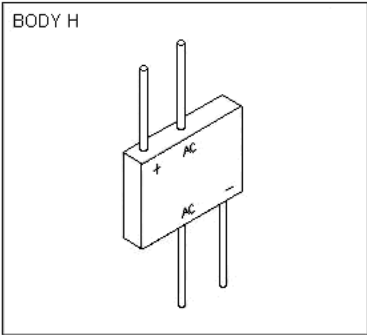
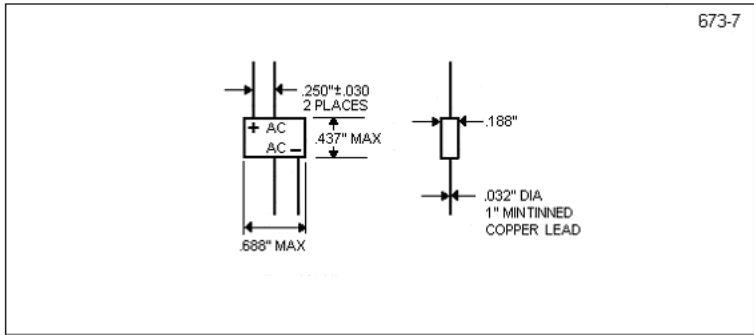


180 Lafayette Road
 North Hampton, NH 03862-2448
 PH: 603-964-3165
 FX: 603-964-3168
 WWW.PDEELECTRONICS.COM

Rectifier Assemblies

Single Phase Bridges, 0.125-0.6 Amp, High Voltage
 Standard and Fast Recovery
 673, 676 Series

MECHANICAL SPECIFICATIONS



MARKING

MANUFACTURER PART NUMBER DATE CODE	AC INPUT – Yellow Dot CATHODE- Red Dot ANODE- Grey Dot
--	--